

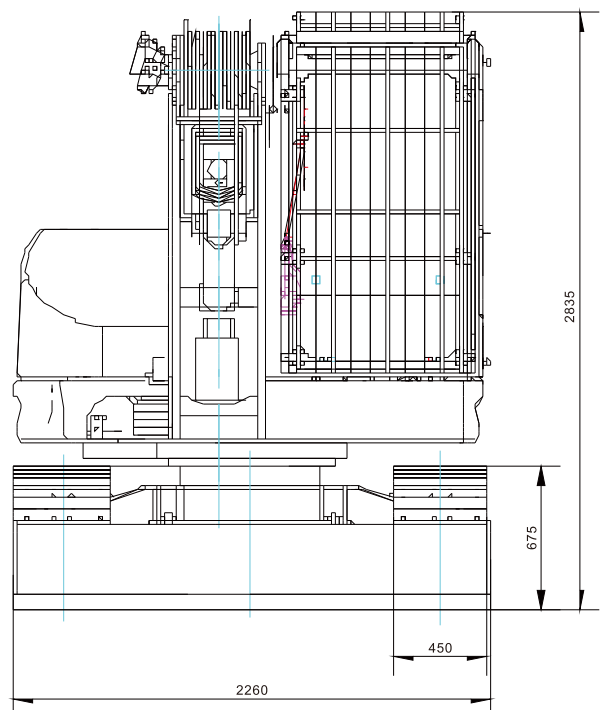
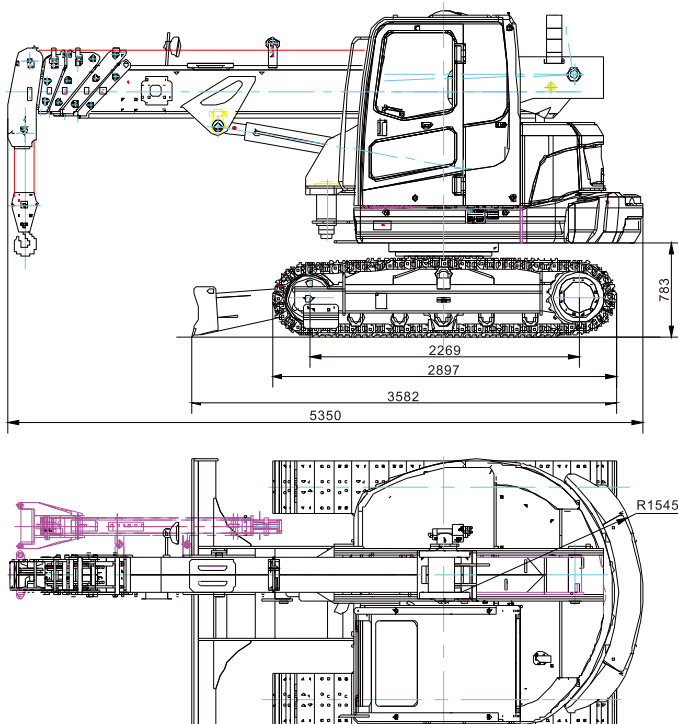
SWTC5D Main Performance Parameters

	ITEM	UNIT	PARAMETERS
Dimensions	Dimension (L x W x H)	mm	5350×2260×2835
	A Center distance between driving pulley and the driven pulley	mm	2269
	B Length of track	mm	2890
	C Height from platform to ground	mm	780
	D Slewing motor of platform tail	mm	1740
	E Chassis width	mm	2250
	F Width of track	mm	450
	G Minimum ground clearance	mm	400
	J Height of track	mm	675
	K Height from control room top to ground	mm	2835
Operating speed parameter	Max rated lifting capacity	t	5
	Maximum load moment of basic boom	t.m	10.5
	Maximum load moment of fully extended boom	t.m	6
	Length of basic boom	m	4.63
	Length of full extensional main boom	m	15.63
	Maximum lifting height of basic boom	m	5.3
	Maximum lifting height of the longest main boom	m	16.5
Main performance parameters	Boom luffing time (up/down)	s	11/9
	Boom telescopic time (extension/retraction)	s	17/20
	Swing speed	rpm	4.5
	Speed of hoisting single rope	m/min	110
	Traveling speed	km/h	4.6
	Micro-traveling speed	km/h	2.5
	Machine weight	t	10.91
	Max gradeability	%	36.4
	Ground pressure	Mpa	0.05
Engine	Brand		YANMAR
	Models		4TNV98C-SSU
	Type		Water Cooling/Turbocharging
	Displacement	L	3.319
	Power/rotating speed	kw/rpm	46.2KW/2200rpm
	Capacity of fuel tank	L	125



Main Technical Features of SWTC5D:

1. YANMAR engine, meet Euro V emission standards.
2. Lightweight high-strength steel with hexagonal section and five telescopic main booms.
3. Short tail and small slewing motor, suitable for operation in narrow areas.
4. Equipped with self-lifting support shovel, high stability.
5. Short luffing and telescopic time, fast lifting speed of heavy objects and high operation efficiency.
6. Equipped with Hirschmann force limiter system and CAN bus control. The system conforms to EN13000 standard.
7. Complete safety protection device; equipped with unloading solenoid valve for dangerous actions such as protection on winch's winding procedure, height limit, amplitude limit, etc. Equipped with rotary and traveling alarm devices; According to the user's requirements, the interlocking function of getting on and off, the maximum angle limit of the boom frame, the left and right rotation angle limit, etc. can be added.
8. with micro-traveling function; A micro-traveling switch is provided, which can reduce the pilot pressure to realize tiny actions of each operation.



SWTC5D Lifting Capacity Table

Working radius (m)	Boom length 4.63m Lifting capacity (kg)		Boom length 7.38m Lifting capacity (kg)		Boom length 10.13m Lifting capacity (kg)		Boom length 12.88m Lifting capacity (kg)		Boom length 15.63m Lifting capacity (kg)		
	Static	Traveling	Static	Traveling	Static	Traveling	Static	Traveling	Static	Traveling	
2	5000	2000	5000	2000	2600	1300	2000	Traveling on load is not allowed	Traveling on load is not allowed		
2.5	3800	1900	3800	1900	2600	1300	2000				
3	3000	1500	3000	1500	2350	1175	2000				1400
3.5	2300	1150	2300	1150	2050	1025	1900				1400
4			2000	1000	1750	875	1650				1400
4.5			1700	850	1550	775	1450				1320
5			1400	700	1350	675	1300				1200
6			1000	500	980	525	950				900
7					780	390	750				700
8					580	290	550				520
9					410	205	400				380
10							380				350
11							320				300
12											280
13											220
14								200			
14.53								200			

Notes:

1. The value given in the table is the rated lifting capacity of the crane, including the weight of the hook(70kg), under the condition of solid and smooth ground;
2. The actual lifting capacity is the rated lifting capacity shown in the above table minus the weight of lifting appliances such as lifting hooks;
3. The working range in the table refers to the actual range after lifting;
4. The whole machine shall be horizontal and the working slope shall not be more than 5%. The traveling speed shall not be greater than the minimum speed;
5. When the actual boom length and the working range are both between two values, the weight should be determined according to the larger ones;
6. When climbing the slope, the main boom is retracted and placed at the minimum angle, and the counterweight is placed in the uphill direction.

SWTC5D Jib Lifting Performance Table

Jib 1				
Angle of main boom (longest boom)	Deflection angle (Deg)			
	80°	5	20	40
75°	500	500	350	250
70°	480	450	325	225
65°	450	350	300	150
60°	350	300	250	125
55°	250	200		
50°	150	100		
40°	50			

Jib 1 + 2				
Angle of main boom (longest boom)	Deflection angle (Deg)			
	80°	5	20	40
75°	400	400	300	200
70°	380	350	250	150
65°	350	300	200	100
60°	300	200	150	80
55°	200	150		
40°	100	75		

