

SWSL1223RT

Scissors Aerial Work Platform

SUNWARD



Dual extension decks



Auto-leveling outriggers



Maintenance lock



Drawer type Engine bracket

FEATURES

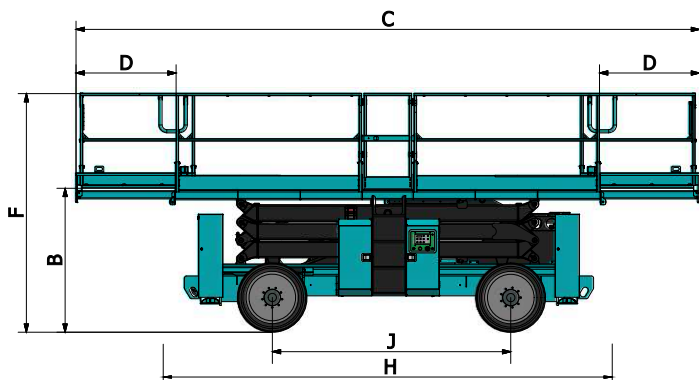
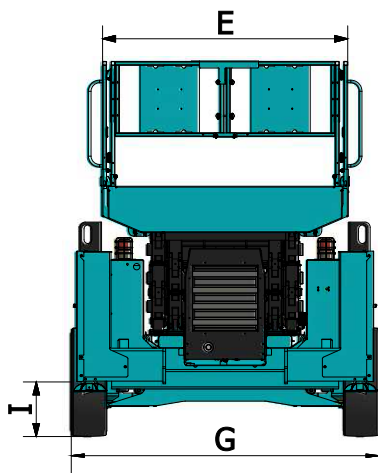
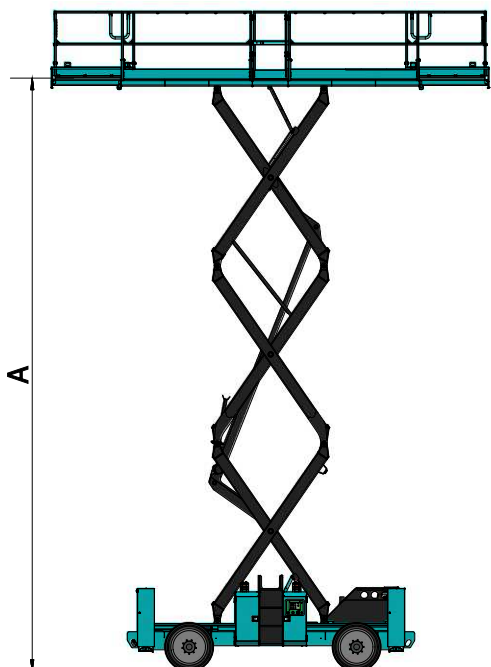
◆Alarm	◆Drawer type Engine bracket	◆Proportional control	◆Fault diagnosis system	◆Platform interlock door
◆Motion alarm	◆Maintenance lock	◆Dual extension decks	◆Tilt protection system	◆Overload protection system
◆Flashing beacon	◆Quad-Trax 4WD	◆Fold-down guardrails	◆Emergency stop system	◆Auto-leveling outriggers
◆Hour meter	◆Automatic braking system	◆Tubing explosion protection system	◆Emergency down system	◆Solid tires

OPTIONS

◆Hydraulic alternator	◆Extra toolbox	◆Platform folding seat	◆Non-mark tires	◆Hydraulic oil cooler
◆Fire extinguisher	◆Platform work light	◆AC power to platform		

SWSL1223RT

Scissors Aerial Work Platform



DIMENSION

	Working height	40'0"(12.2m)
A	Platform height	33'5"(10.2m)
B	Platform height (stowed)	5'7"(1.72m)
C	Platform length	17'6"(5.33m)
	Roll-out deck	24'8"(7.53m)
D	Roll-out deck length	3'11"(1.2m)
E	Platform width	6'3"(1.9m)
F	Height(Fence raise)	9'5"(2.88m)
	Height(Fence folded)	6'8"(2.05m)
G	Width	7'10"(2.39m)
H	Length	17'5"(5.33m)
I	Ground Clearance	11"(0.27m)
J	Wheelbase	9'5"(2.88m)

PERFORMANCE

Capacity	2650lbs(1200kg)
Roll-out deck capacity	500lbs(227kg)
Max. occupants	5
Drive height	All
Travel speed (stowed)	6.25mph(10km/h)
Travel speed (raised)	attached table
Max. Allowable Working Angle	attached table
Turning radius(inside/outside)	6'10"/17'5"(2.08m/5.3m)
Raise/Lower Time	46/46sec
Gradeability	40%
Control system	Proportional
Drive system	4X4
Tires	33X12-20
Power source	Kubota V2403-M-DI
Horsepower	49hp(36.5 kw)/2600rpm
Hydraulic Tank Capacity	40gal(151L)
Fuel Tank Capacity	25gal(95L)
Weight	17365lbs(7870kg)

Addendum

Elevated Angle Rating & Drive Speed

Platform Height	13'0"(4m)	20'0"(6m)	26'0"(8m)	33'0"(10m)
Rated Tilt Angle side-to-side	8°	6°	5°	4°
Rated Tilt Angle fore-to-aft	10°	8°	6°	5°
Max. Elevated Drive Speed	3mph(5km/h)	2.5mph(4km/h)	2mph(3km/h)	1.5mph(2km/h)

SUNWARD

SUNWARD INTELLIGENT EQUIPMENT CO.,LTD.

Add: Sunward Industrial Park, No. 1335 Liangtang Road (E), Xingsha, Changsha, Hunan, China
Tel: +86 731 8640 7779 E-mail: marketing@sunward.cc Web: www.sunward.com.cn