

# SUNWARD

## SWE135E-3H

◆Machine weight: 13.8t ◆Engine power: 86kW/2200rpm ◆Bucket capacity: 0.5~0.65m<sup>3</sup>

**New Generation**

*High-configuration / High-efficiency  
High-reliability / Low-fuel-consumption*

**Energy Saver**



- ◆Large-diameter main valve and unique channel design, helping reduce pressure loss and fuel consumption.
- ◆Large-flow main pump, contributing to faster excavating speed and higher efficiency.
- ◆Enhanced working device, making the machine suitable for various working conditions.

# SWE135E-3H

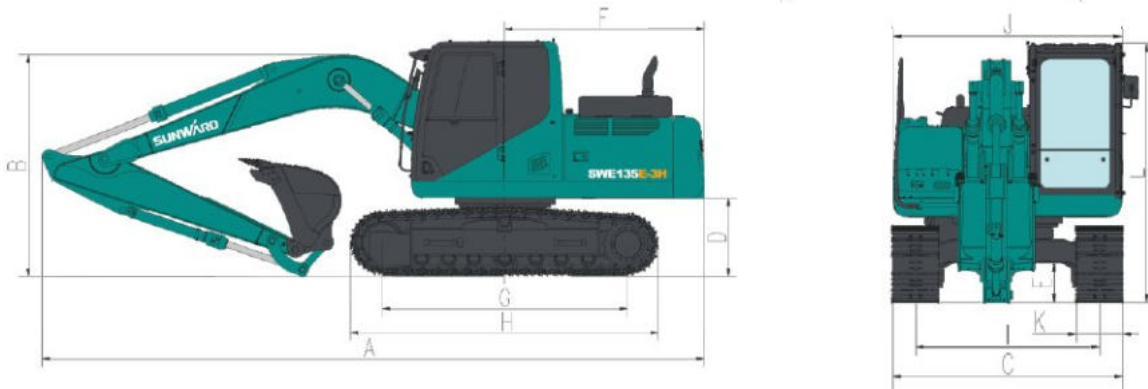
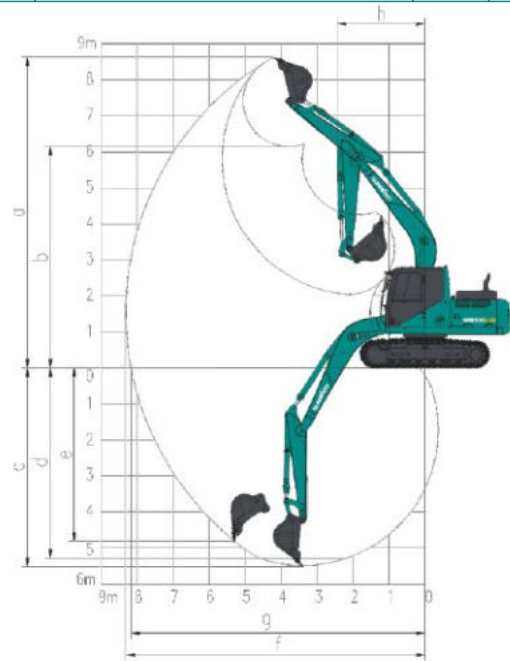
# Main Technical Parameters

## Main parameters and performance

Specifications		
Machine working weight	kg	13800
Bucket capacity	m <sup>3</sup>	0.5~0.65
Engine		
Brand		Cummins
Model		QSF3.8
Type		Four-stroke, supercharged, intercooled, direct injection
Power	kW/rpm	86/2200
Maximum torque	N·m/rpm	470/1320
Exhaust volume	L	3.76
Hydraulic system		
Type of main pump		Variable piston pump×2
Maximum flow of main pump	L/min	2×142.5
System pressure	MPa	31.4
Type of pilot pump		Gear pump×1
Maximum flow of pilot pump	L/min	20
Pressure of pilot pump	MPa	3.9
Performance		
Slewing speed	rpm	12.5
Travelling speed	km/h	6.0~3.7
Climbing ability	°	35
Track width	mm	600
Ground contact pressure	kPa	42.5
Ground contact pressure		
Fuel tank capacity	L	245
Hydraulic oil tank capacity	L	150

## Operating range and digging force

a	Maximum digging height	mm	8640
b	Maximum unloading height	mm	6145
c	Maximum digging depth	mm	5525
d	Digging depth (2.44m horizontal)	mm	5320
e	Maximum vertical digging depth	mm	4930
f	Maximum digging distance	mm	8330
g	Maximum ground digging distance	mm	8185
h	Minimum front turning radius	mm	2530
	Bucket digging force (ISO boost)	kN	93
	Arm digging force (ISO boost)	kN	69



## Overall dimensions

	Boom length	mm	4600		F	Tail turning radius	mm	2355
	Arm length	mm	2500		G	Track ground contact length	mm	2915
A	Transport length	mm	7840		H	Track length	mm	3650
B	Transport height of boom	mm	2700		I	Track gauge	mm	2000
C	Transport width	mm	2500		J	Loading width	mm	2500
D	Counterweight ground clearance	mm	940		K	Track shoe width	mm	500
E	Minimum ground clearance	mm	410		L	Cab height	mm	2850

★ The above parameters may change due to product update

## SUNWARD INTELLIGENT EQUIPMENT CO.,LTD.

Add: Sunward Industrial Park, No. 1335 Liangtang Road (E), Xingsha, Changsha, Hunan, China.  
Tel: +86 731 8640 7779 E-mail: marketing@sunward.cc Web: www.sunward.com.cn

**SUNWARD**